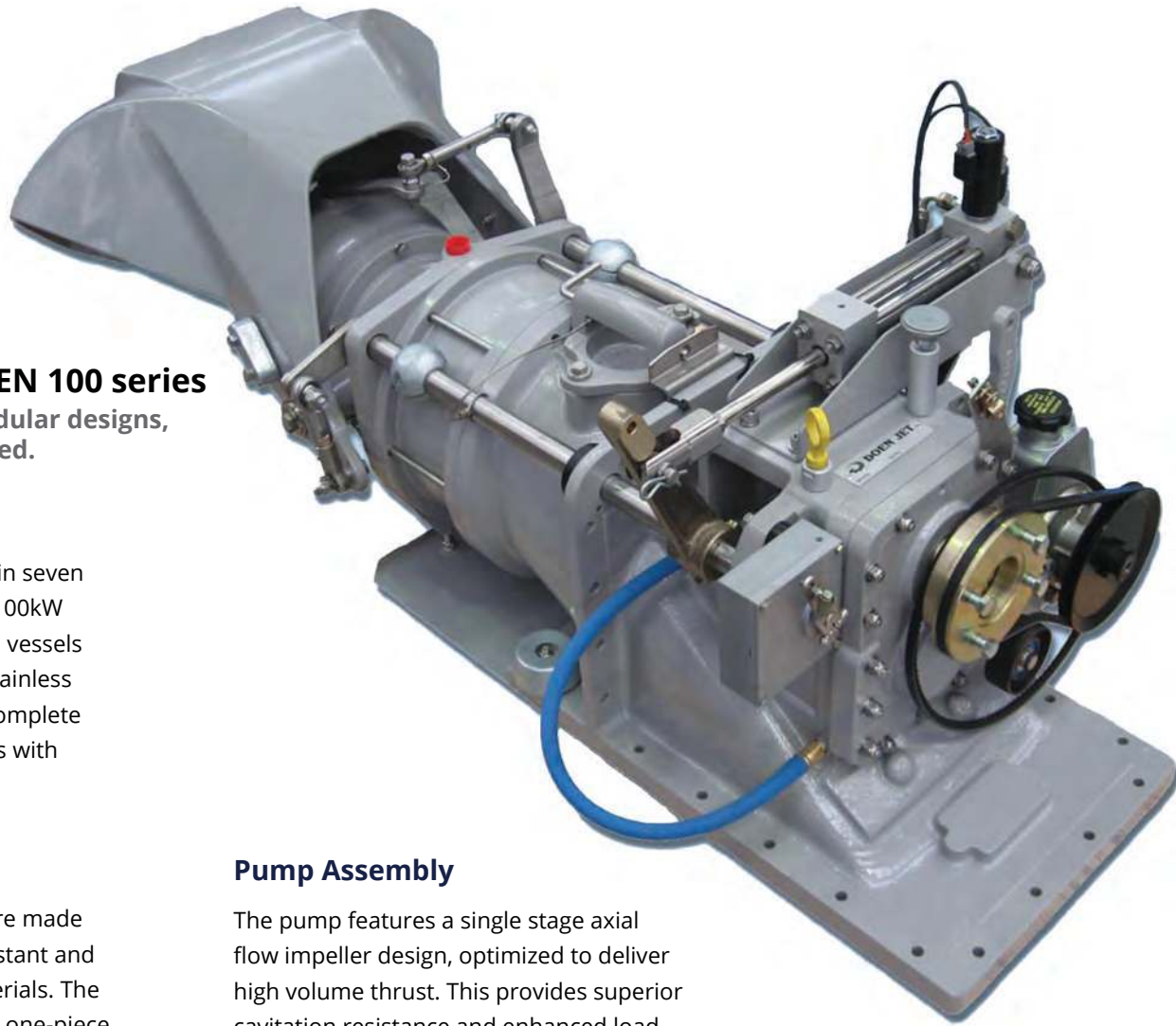




THRUSTMASTER SERIES
100
WATERJETS

History. **Innovation.** Power.
www.thrustmaster.net



Thrustmaster DOEN 100 series
Constructed using modular designs,
no special tools required.

Performance

The 100 series is available in seven model sizes ranging from 100kW to 900kW to accommodate vessels from 6m up to 20m with stainless steel jets supported by a complete range of electronic controls with joystick docking.

Durability

The 100 Series waterjets are made with strong, corrosion resistant and corrosion compatible materials. The stainless steel impeller is a one-piece casting, housed in a stainless steel liner. The intake ducting, impeller casing, and discharge nozzle complete the pump housing and are all manufactured from aluminium.

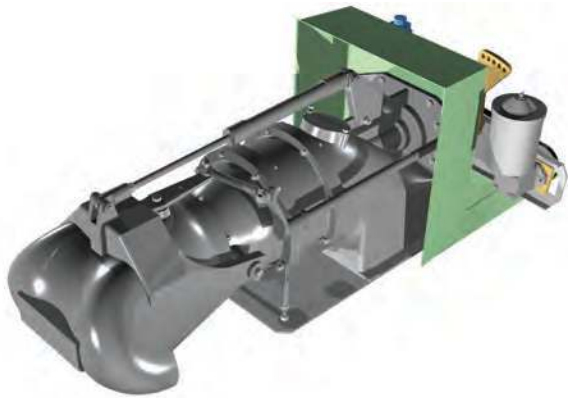
Steering & Reverse

Fast response, low force steering nozzle operated from inboard tiller gives superior maneuvering. Split duct reverse bucket providing high astern thrust. The steering and reverse ducting is manufactured from cast aluminium.

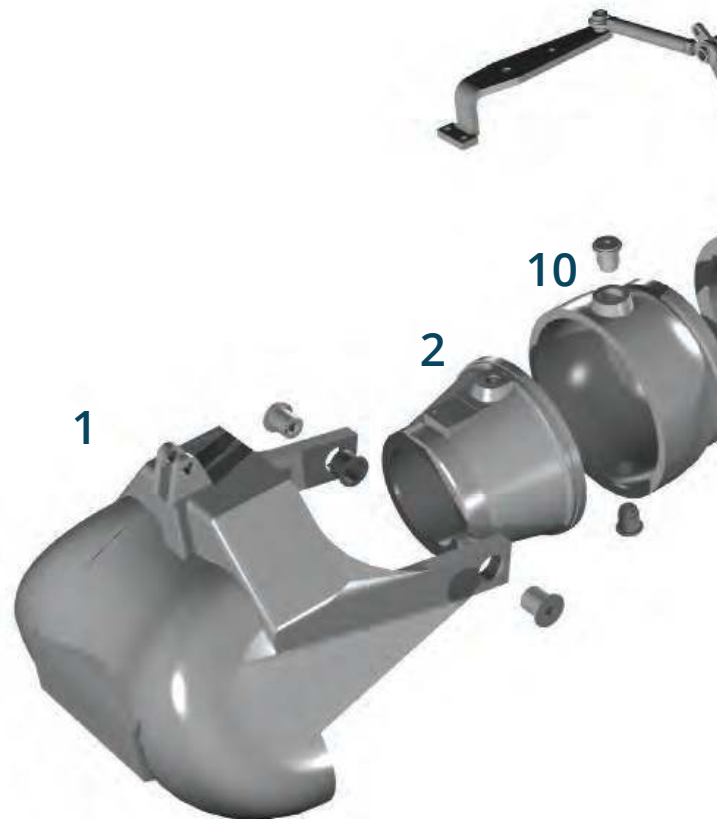
Pump Assembly

The pump features a single stage axial flow impeller design, optimized to deliver high volume thrust. This provides superior cavitation resistance and enhanced load carrying ability together with excellent top speed performance.





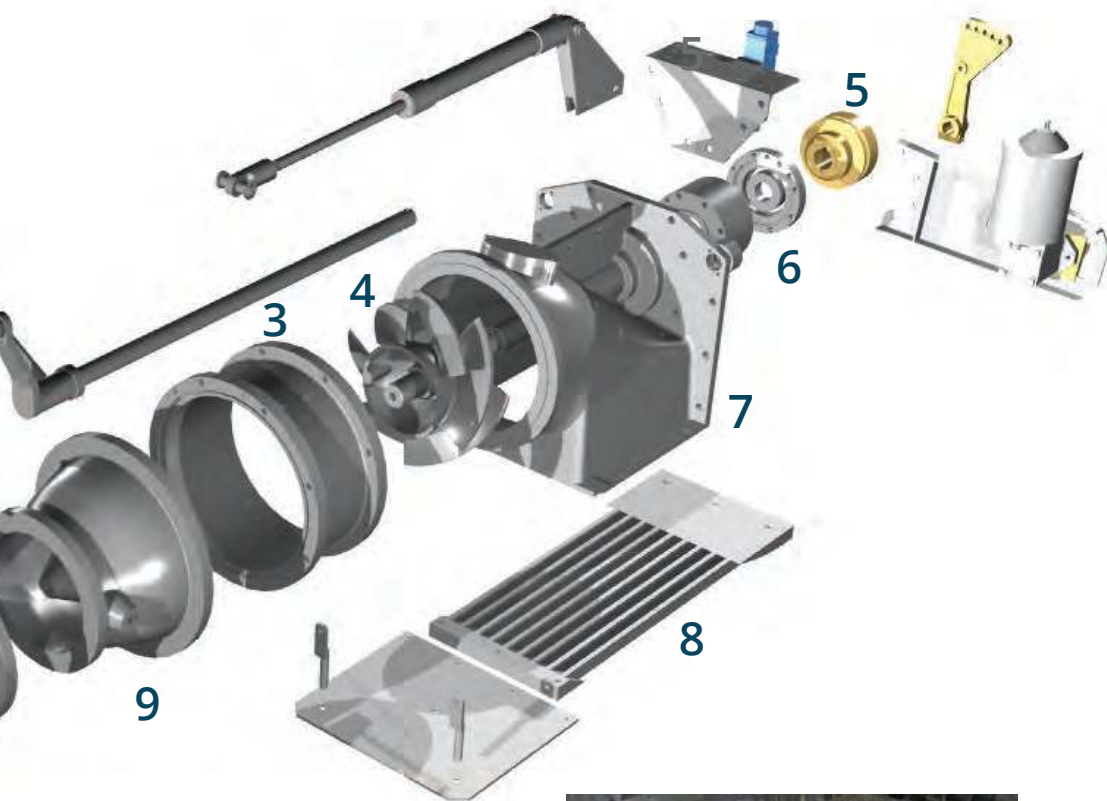
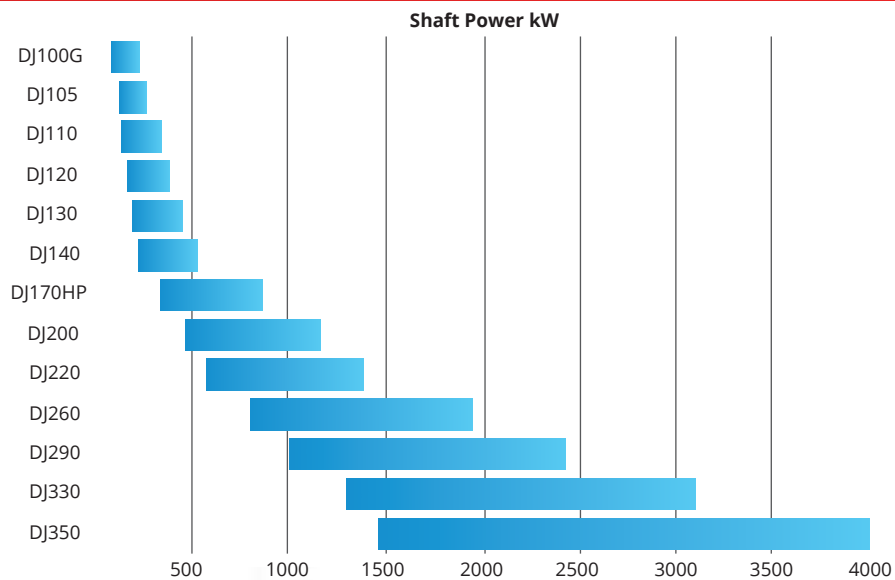
- 1 Reverse Bucket
- 2 Steering Nozzle
- 3 Impeller Casing
- 4 Impeller
- 5 Input Coupling



THRUSTMASTER SERIES 100 WATERJETS

History. **Innovation.** Power.
www.thrustmaster.net

- 6 Bearing Assembly
- 7 Intake Body
- 8 Intake Grate
- 9 Stator
- 10 Steering Bowl



THRUSTMASTER SERIES 100 WATERJETS

History. **Innovation.** Power.
www.thrustmaster.net

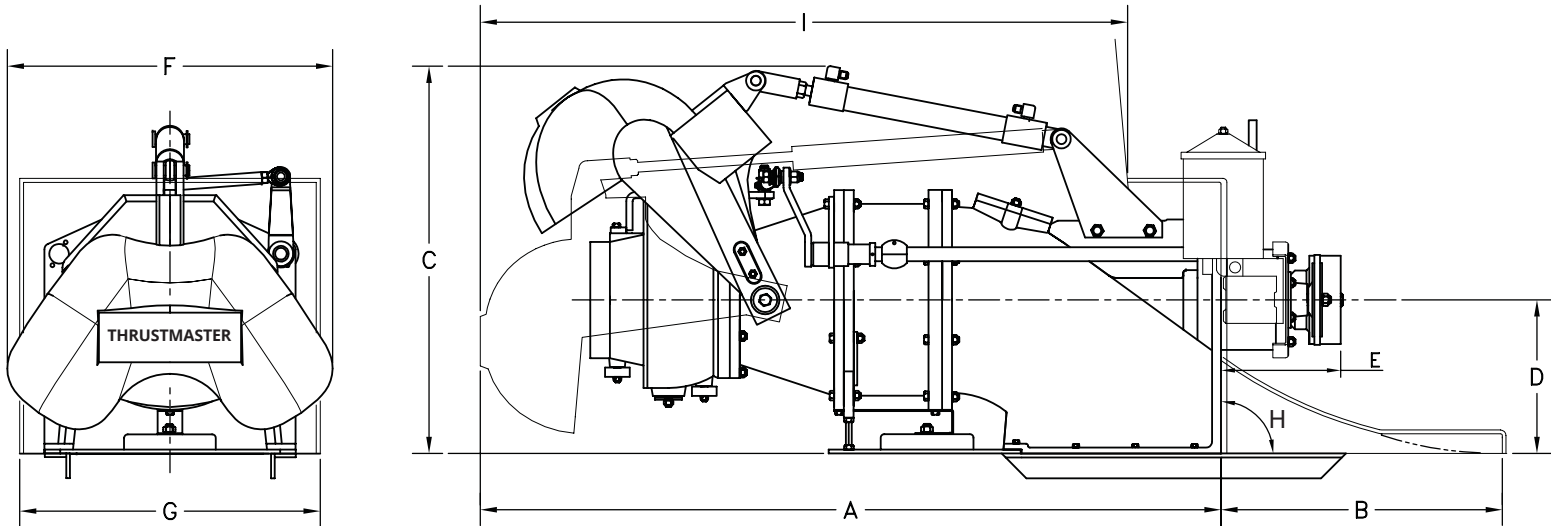
TECHNICAL SPECIFICATIONS

		DJ100G	DJ105	DJ110	DJ120	DJ130	DJ140	DJ170HP
Power Range kW (hp)		225 (300)	260 (350)	335 (450)	380 (510)	410 (550)	520 (700)	855 (1150)
Max RPM		3600	3200	3055	2800	2600	2400	1975
Max. Displacement PLANNING VESSEL	Single	3.5t	4t	4.5t	6t	7t	9t	12t
	Twin	8t	9t	10t	12t	17t	20t	26t

Max. Displacement DISPLACING VESSEL	Single	8t	9t	10t	15t	18t	20t	30t
	Twin	17t	20t	22t	30t	40t	45t	66t

Weight Kg (lbs)	Dry	125 (276)	125 (276)	125 (276)	125 (276)	125 (276)	125 (276)	125 (276)
-----------------	-----	-----------	-----------	-----------	-----------	-----------	-----------	-----------

Dimensions (mm)	A	1075	1150	1200	1200	1545	1545	1405
	B	290	455	455	520	630	630	1505
	C	560	630	630	620	880	880	835
	D	242	250	250	250	370	370	335
	E	170	195	195	265	220	220	1200
	F	540	540	540	700	775	775	900
	G	360	470	470	520	600	600	645
	H	95°	90°	90°	90°	90°	90°	90°
	I	920-965	1000-1075	1045-1120	1045-1120	1225-1495	1225-1495	N/A





Thrustmaster of Texas, Inc.

Headquarters

6900 Thrustmaster Drive
Houston, TX 77041
USA

Phone: +1 713 937 6295

Fax: +1 713 937 7962

Email: info@thrustmastertexas.com

Thrustmaster do Brasil Ltda.

Thrustmaster do Brasil Ltda.
Av. Nilo Peçanha, 50 – Sala 2911
20020-906 Centro
Rio de Janeiro, RJ Brasil

Phone: +55 21 3045 9730

Thrustmaster Europe

Thrustmaster Europe B.V.
Broeikweg 31a
2871 RM Schoonhoven
The Netherlands

Phone: +31 182 381044



Learn more at www.Thrustmaster.net

Copyright © 2014 Thrustmaster of Texas, Inc. All rights reserved.