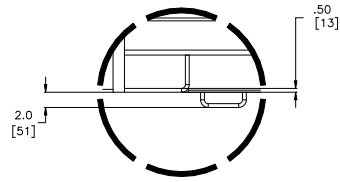
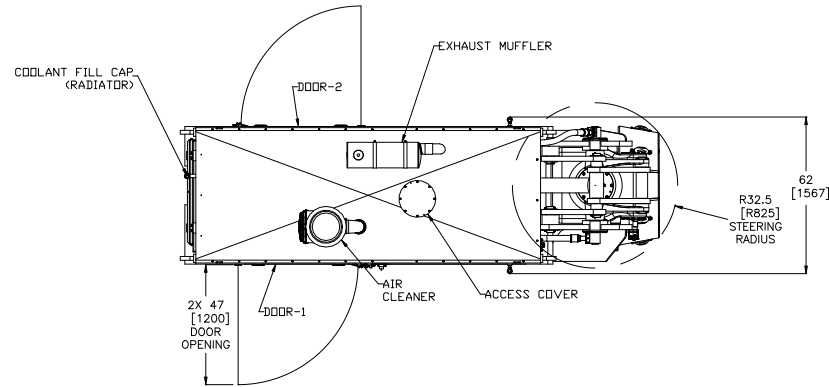
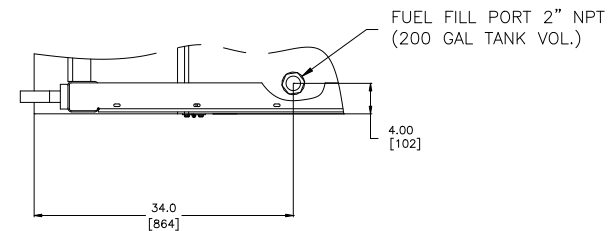


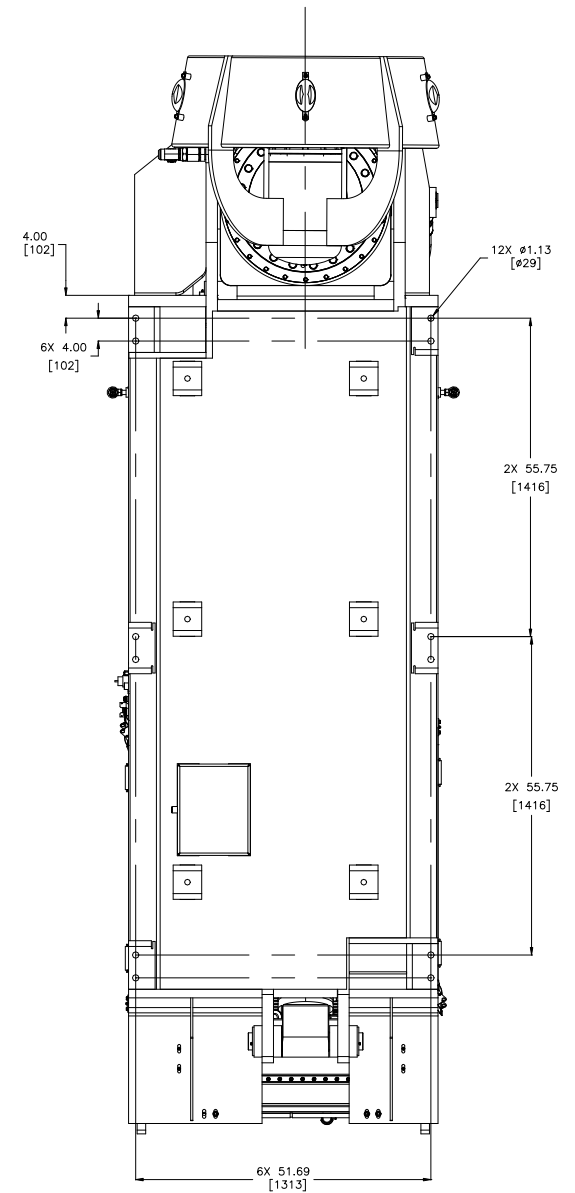
REVISION			
DRN	CHK	APP	REV
ECR	XY	SV	00
DATE	DATE	DATE	DATE
04/25/2024	04/25/2024	04/25/2024	



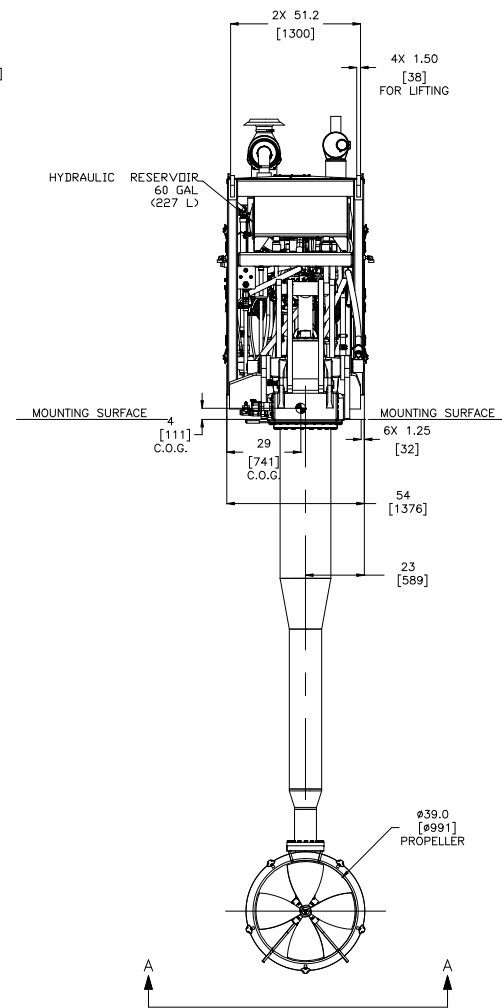
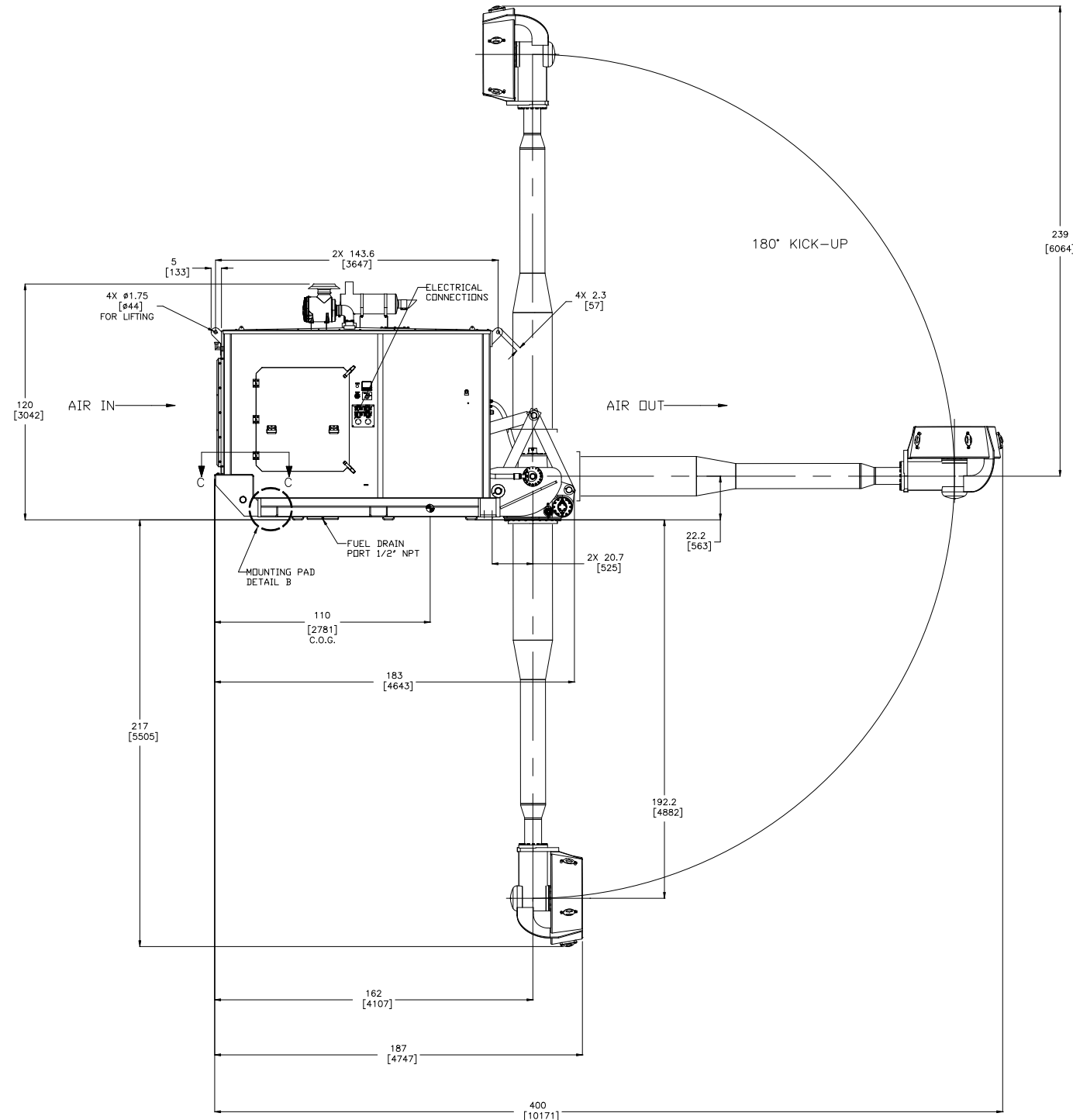
MOUNTING PAD 6X
DETAIL B
SCALE 1: 12



SECTION C-C
SCALE 1:12



VIEW A-A
SCALE 1:16



NOTES:

1. WEIGHT SHOWN IS ESTIMATED DRY WEIGHT ONLY.
2. RECORD ACTUAL WEIGHT PRIOR TO SHIPPING.

THRUSTMASTER OF TEXAS, INC.		TITLE GA, OD300N, 180 DEG TILT, 16 FT PAL, 24VDC	
SCALE/SIZE 1:36 D		DIMENSIONING CONVENTION INCHES (mm)	
D131917		D131558	
65848		17431 LBS (7907 KGI)	
DO NOT SCALE		SHEET 1 OF 1	